

# GRYPHON™ | GFS4100



## SIMPLE TO INTEGRATE

Designed for easy integration, the Gryphon I GFS4100 reader provides a simple 'plug-and-play' solution for system designers. Constructed using high-impact resin to withstand repeated cleanings with solvents and disinfectant solutions, the sealed enclosure meets industrial standards against water and particulates to provide dependable and reliable scanning performance.

## ADVANCED IMAGING TECHNOLOGY

The Gryphon I GFS4100 OEM module shares the same excellent reading characteristics found in the premium line of Gryphon™ 4100 series of handheld devices. Featuring outstanding near-field reading, a wide angle field-of-view, improved motion tolerance and snappy reading, it also offers integrators excellent performance on decoding poor or damaged codes. As with all Gryphon readers, the GFS4100 reader offers users additional good-read visual confirmation with Datalogic's patented 'Green Spot' technology.

## CONTINUOUS SCANNING CAPABILITY

The Gryphon I GFS4100 reader supports several modes that can be used as a trigger. The module has the ability to automatically sense objects and trigger itself. A continuous scan mode transmits data whenever a bar code passes into its field of view. The reader can be triggered remotely using input from programmable logic controller (PLC) or sensor.

## FEATURES

- High-speed imaging for fast moving codes
- Read rate: 320 reads/second
- Excellent near-field reading at the scan window
- Supports all common linear (1D) bar codes including GS1 DataBar™
- Reads high resolution bar codes up to 3 mils
- Datalogic's patented Green Spot for good-read feedback
- Integrated good-read beeper
- Automatic sensing or manual trigger options available
- Integrated interface cable
- High-impact resin creates a solvent-tolerant enclosure
- Water and Particulate Sealing Rating: IP54
- EASEOFCARE Service Plans offer a wide range of service options to protect your investment, ensuring maximum productivity and ROI

## INDUSTRY-APPLICATIONS

- OEM Applications:
  - Service Kiosks
  - Price Verifiers
  - Ticket Readers
  - Document Handling
  - Medical Laboratories
  - Vending Machines
  - Additional Automated Equipment



# GRYPHON™ | GFS4100

## TECHNICAL SPECIFICATIONS

### DECODING CAPABILITY

<b>1D / Linear Codes</b>	Autodiscriminates all standard 1D codes including GS1 DataBar™ linear codes.
--------------------------	--

### ELECTRICAL

<b>Current</b>	Operating (Typical): 390 mA Standby/Idle (Typical): GFS4170: < 2.5 mA
<b>Input Voltage</b>	5 VDC +/- 5%

### ENVIRONMENTAL

<b>Ambient Light</b>	0 - 100,000 lux
<b>Drop Resistance</b>	Withstands repeated drops from 0.76 m / 2.50 ft onto a concrete surface
<b>ESD Protection (Air Discharge)</b>	16 kV
<b>Humidity (Non-Condensing)</b>	95%
<b>Particulate and Water Sealing</b>	IP54
<b>Temperature</b>	Operating: 0 to 50 °C / 32 to 122 °F Storage/Transport: -25 to 50 °C / -13 to 122 °F

### INTERFACES

<b>Interfaces</b>	RS-232; USB
-------------------	-------------

### PHYSICAL CHARACTERISTICS

<b>Colors Available</b>	Grey; Other colors and custom logo options are available for minimum quantity purchase.
<b>Dimensions</b>	3.9 x 5.7 x 5.8 cm / 1.5 x 2.2 x 2.3 in
<b>Weight</b>	170 g / 6 oz (including a 2 m / 6.6 ft RS-232 cable)

### READING PERFORMANCE

<b>Imager Sensor</b>	CCD Solid State
<b>Light Source</b>	Illumination: Dual LED Array 630 - 670 nm
<b>Print Contrast Ratio (Minimum)</b>	15%
<b>Read Rate (Maximum)</b>	320 reads/sec.
<b>Reading Angle</b>	Pitch: +/- 65°; Roll (Tilt): +/- 35°; Skew (Yaw): +/- 65°
<b>Reading Indicators</b>	Beeper; Datalogic 'Green Spot' Good Read Feedback; Good Read LED
<b>Resolution (Maximum)</b>	0.076 mm / 3 mils

### READING RANGES

<b>Typical Depth of Field</b>	Minimum distance determined by symbol length and scan angle. Printing resolution, contrast, and ambient light dependent. 5 mils: 5.0 to 16.0 cm / 2.0 to 6.3 in 8 mils: 3.0 to 27.0 cm / 1.2 to 10.6 in 10 mils: 1.5 to 30.0 cm / 0.6 to 11.8 in 13 mils: 3.0 to 40.0 cm / 1.2 to 15.7 in 20 mils: up to 60.0 cm / up to 23.6 in
-------------------------------	--

### SAFETY & REGULATORY

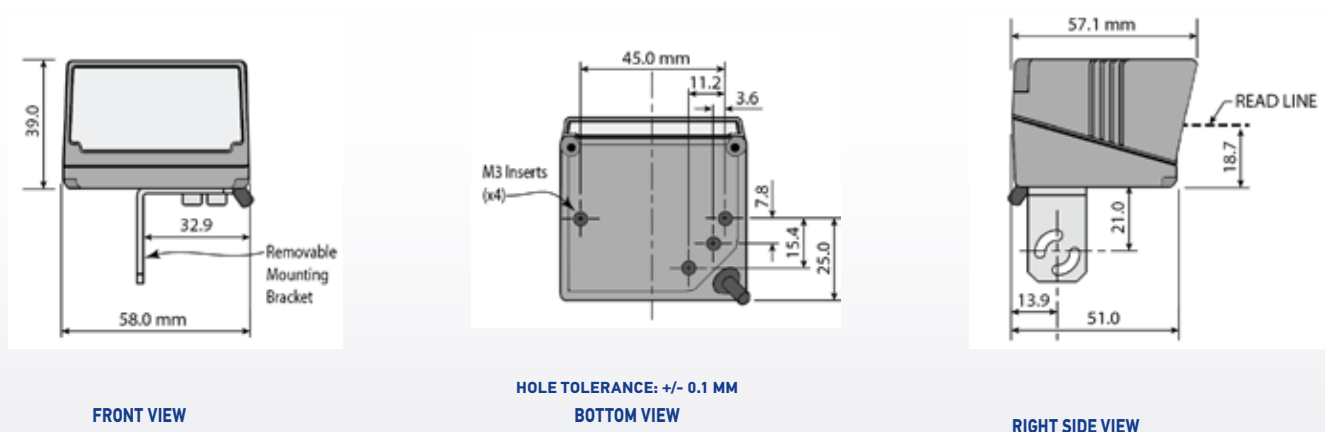
<b>Agency Approvals</b>	The product meets necessary safety and regulatory approvals for its intended use. The Quick Reference Guide for this product can be referred to for a complete list of certifications.
<b>Environmental Compliance</b>	Complies to China RoHS; Complies to EU RoHS
<b>LED Classification</b>	IEC 60825-1 Class 1 LED Product

### UTILITIES

<b>Datalogic Aladdin™</b>	Datalogic Aladdin configuration program is available for download at no charge.
<b>OPOS / JavaPOS</b>	JavaPOS Utilities are available for download at no charge. OPOS Utilities are available for download at no charge.
<b>Remote Host Download</b>	Lowers service costs and improves operations.

### WARRANTY

<b>Warranty</b>	3-Year Factory Warranty
-----------------	-------------------------



HOLE TOLERANCE: +/- 0.1 MM