

CashPlus Maxi

CashPlus is a generic portfolio of cash drawers, and has been selected from over 10,000 designs to reflect the unparalleled quality and flexibility that is customary to all Cash Bases products. Each drawer offers unique features, configurable inserts and variable dimensions, suitable for any retail environment, anywhere in the world.

DESCRIPTION

Very high capacity cash drawer, with flexible insert designs.

FEATURES

- Robust steel construction
- Steel ball bearing runners
- Drawer status micro switch
- Bolt down facility in base

OPTIONS

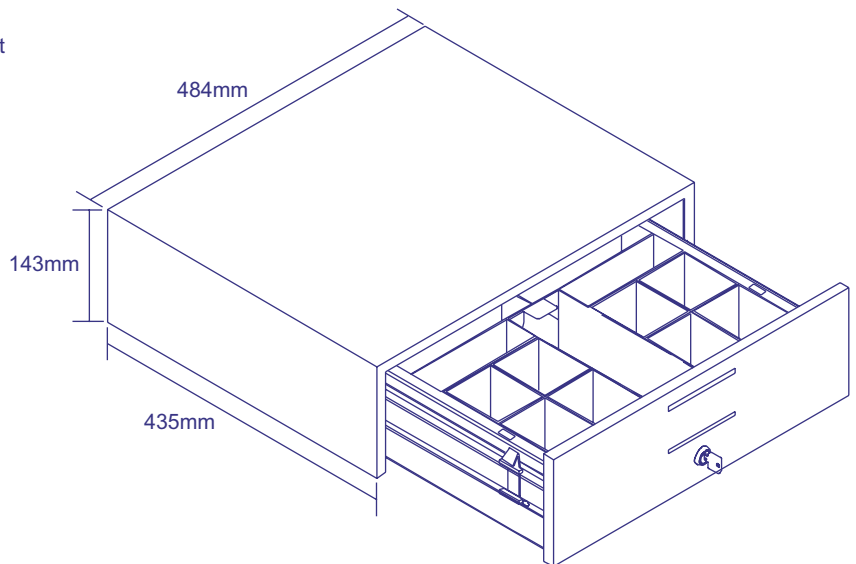
- Wide range of inserts
- Fixed or removable coin cups
- Coin cups suitable for weigh counting
- Up to 4 media posting slots
- Lockable lid for the insert
- Emergency key release, 3 position or no lock
- Alike or random locks
- Support bracket for under counter mounting
- Rear cable guard for cable management

SPECIFICATION

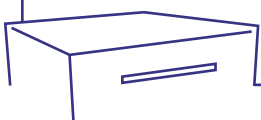
- Width: 484mm
- Depth: 435mm
- Height: 143mm
- Weight: 16kg

IDEAL FOR

- Department Stores
- Financial Institutions
- Fashion Retail
- PoS System Platform



UK/CASH-MAXI/0803



Specification may be subject to change without notification